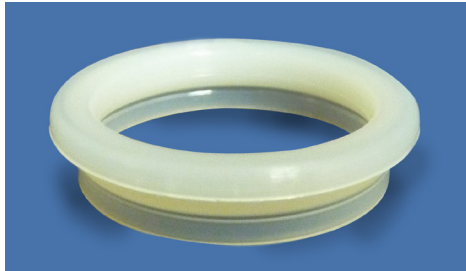


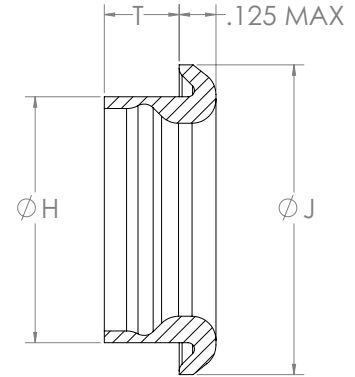
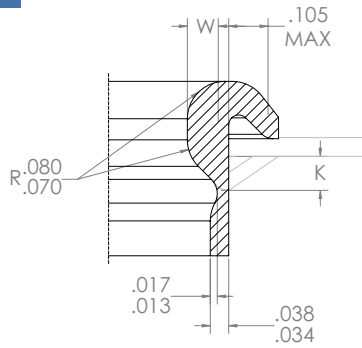
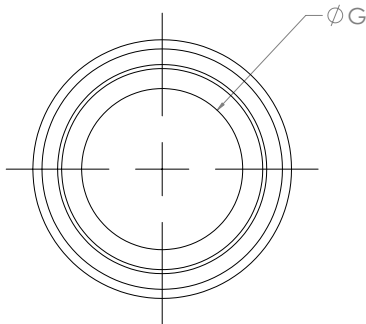
# NAS 1368

## FLIP GROMMET



**Material:**  
Nylon 6/6 PER L-P-410  
Self-extinguishing without fillers

**Color:**  
Natural



Dash Number	G Dia. Nom.	Structure Hole Dia (Ref) +.010 / -.005	W ±.003	H Dia.		J Dia. ±.005	K Approx.	T Length ±.005								Nom. Wt. # / 1000			
				Min	Max			Length Code											
								A	B	C	D	F	H	K	L				
3	.188	.313	.058	.302	.308	.505	.100										1.1		
4	.250	.375		.364	.370	.567												1.3	
6	.375	.500		.489	.495	.692												1.8	
8	.500	.625		.610	.620	.815		.235	.295	.360	.420	---	---	---	---			2.2	
10	.625	.781	.083	.766	.776	.971												3.0	
12	.750	.906		.891	.901	1.096												3.6	
14	.875	1.031		1.016	1.026	1.221												4.3	
16	1.000	1.188		.104	1.173	1.183		1.378											5.7
18	1.125	1.313			1.298	1.308		1.503	.275	.335	.400	.460	---	---	---	---			6.4
20	1.250	1.438			1.423	1.433		1.628											7.2
22	1.375	1.563	1.538		1.558	1.748											7.7		
24	1.500	1.688	1.663		1.683	1.873	---	---	---	---	.275	.335	.400	.460			8.3		
28	1.750	1.938	1.913		1.933	2.123											9.7		
32	2.000	2.188	2.163		2.183	2.373											10.7		

Nominal Structure Thickness (Ref.)							
-3 To -18				-20 To -32			
A	B	C	D	F	H	K	L
.025 TO .080	.081 TO .140	.141 TO .200	.201 TO .250	.025 TO .040	.041 TO .091	.092 TO .160	.161 TO .220

